

TISSUE CULTURE RACK / MEDIA, GLASS JAR, CHEMICAL STORAGE CABINET

MODEL TCR-6 / SSR-6 / MLS6-1000S / TSC-900GM



TISSUE CULTURE RACK

MODEL TCR-6

- Exterior dimensions: 1750 mm x 550 mm x 1270 mm (H x W x L).
- 6 Shelves with lighting facility in 5 shelves.
- Shelf size approximately 1270 x 550 mm (L x W).
- Shelf to shelf distance approximately 460 mm.
- Frame material : thick white epoxy textured finish steel.
- Lighting : 2 nos of cool white fluorescent light with reflector in each shelf.
- Installation of individual on/off switch at each shelf.
- Equipped with 24 hour timer or photoperiodic timer.
- Conceal wiring and electrical control box.
- With 4 nos Ø2½ nylon heavy duty castor wheels with 2 locking brakes.
- Input : 220-240V, 50 Hz, single phase.



Model TCR-6

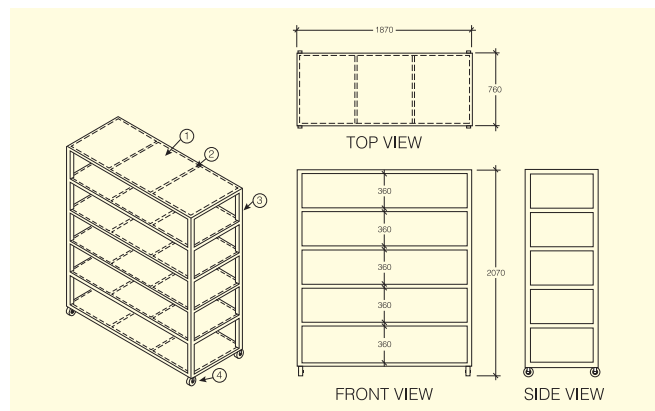
STAINLESS STEEL MEDIA STORAGE RACK

MODEL SSR-6

Material : Stainless Steel SUS 304 plate.
Dimension : 1870 W x 760 D x 2070 H (mm).
Type : 6 tier rack complete with 4" wheels.

NOTES :

1. 0.9mm thick SUS 304 Plate.
2. SUS 25 x 25 x 1.2mm thick SHS.
3. SUS 40 x 40 x 1.2mm thick SHS.
4. Ø4" H/Duty PU Red Wheel
4 Nos Swivel, 2 with Brake.



STAINLESS STEEL GLASS JAR STORAGE CABINETS

MODEL MLS6-1000S

Description

- Free standing unit.
- Robust, hygienic and easy to clean.
- Constructed of 20 gauge 304 stainless steel panel.
- Two hinge / sliding stainless steel doors with glass panes.
- Supplied with removable stainless steel shelves.
- Shelves adjustable at 1" gaps along the full height of cabinet.
- Dimensions: 48" W x 18" D x 72" H (1219 mm W x 457mm D x 1829 mm H) (MLS6-1000S).
- Number of shelves supplied = 4.



Model MLS6-1000S

CHEMICAL STORAGE CABINET (FOR TISSUE CULTURE LAB)

MODEL TSC-900GM

The free standing cabinet is of double door with half glass. All hinged doors are provided with silent pads to reduce noise during closure. The cabinets and shelves are constructed of 1.2 mm mild steel plate powder coated with epoxy paint for durability. The stainless steel shelves are full length adjustable to accommodate storage of different product types. Dimensions (mm) : 1145 W x 480 D x 1800 H.



Model TSC-900GM

All specifications are subject to change without prior notice.